

Specifications

Model	TZ-50	
Measurements	Metric	US
Working height*	17.09 m	55 ft 6 in
Platform height	15.09 m	49 ft 6 in
Entry height	0.51 m	1 ft 8 in
Horizontal reach	8.89 m	29 ft 2 in
Clear outreach	7.04 m	23 ft 1 in
Up and over clearance	6.71 m	22 ft
▲ Platform length	0.68 m	2 ft 2.8 in
▲ Platform width	1.12 m	3 ft 8 in
▲ Height - stowed	2 m	6 ft 10 in
▲ Length - stowed	7.16 m	23 ft 6 in
▲ Width - stowed	1.68 m	5 ft 6 in
▲ Ground clearance - center	0.25 m	10 in
▲ Length - outrigger footprint	4.37 m	14 ft 4 in
▲ Width - outrigger footprint	4.37 m	14 ft 4 in

Productivity

Lift capacity - standard	200 kg	440 lbs
Lift capacity - rotating platform	200 kg	440 lbs
Jib boom	1.25 m	4 ft 1 in
Jib working range	135°	135°
Self leveling platform	2.5° standard	
Platform rotation option	160° hydraulic	
AC power to platform	standard	
Turntable rotation	359° non-continuous	
Outrigger leveling capability	10°	
Drive speed	1.37 km/h	0.85 mph
Gradeability**	20%	
Towing speed rate	97 km/h	60 mph
Tongue weight - CE***	100 kg	220 lbs
Surge and parking brakes	standard	
Controls	variable speed system	
Tyre size	215 R14C	
Coupler	5.08 cm (2 in) hitch coupler standard	

Power

Power source - standard	24V DC (four 6V 225 Ah batteries)
Power source - drive option	24V DC (four 6V 244 Ah batteries)
Power source - option	Hybrid DC/Gas Honda 4.1 kW (5.5 hp)
Fuel tank capacity	3.6 L / 0.95 gal
Hydraulic tank capacity	18 L / 4.75 gal
Hydraulic system capacity	30 L / 8.0 gal

Sound & Vibration Levels

Sound pressure level (ground workstation)	<70 dBA	<70 dBA
Sound pressure level (platform workstation)	<70 dBA	<70 dBA
Vibration	<2.5 m/s ²	<8 ft 2 in/s ²

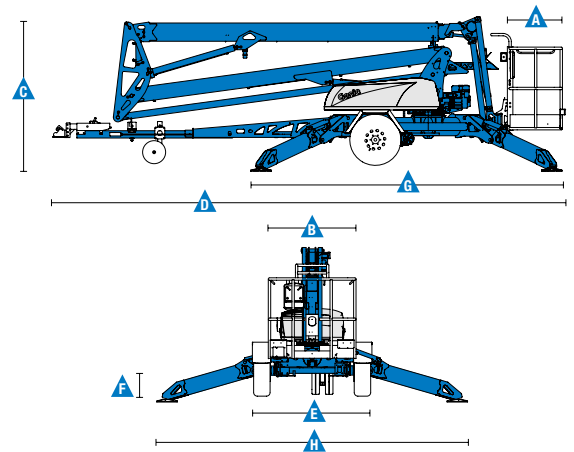
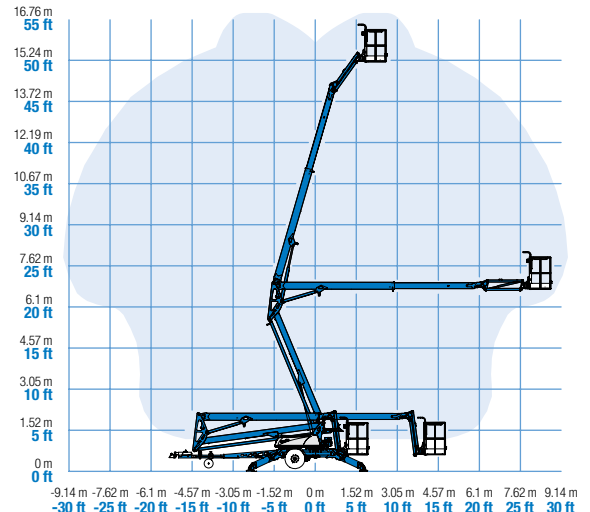
Weight***

Weight CE	2,025 kg	4,464 lbs
Unit weight modifiers for main options		
Platform rotation:	add 10 kg	add 23 lbs
Drive option:	add 105 kg	add 231 lbs
Bicycle guard:	add 15 kg	add 32 lbs
Full size spare tyre:	add 27 kg	add 60 lbs
Hybrid engine:	add 45 kg	add 100 lbs

Standards Compliance

EU Directives: 2006/42/EC - Machinery (harmonized standard EN280:2013); 2004/108/EC (EMC); 2006/95/EC (LVD); 2000/14/EC (Outdoor Noise)

Range Of Motion TZ-50



* The metric equivalent of working height adds 2 m to platform height. U.S. adds 6 ft to platform height.

** Gradeability applies to driving on slopes. See operator's manual for details regarding slope ratings.

*** Weight will vary depending on options and/or country standards.

Features

Standard Features	Easily Configured To Meet Your Needs	Options & Accessories
-------------------	--------------------------------------	-----------------------

Measurements

- 17.09 m (55 ft 6 in) working height
- 29 ft 2 in (8.89 m) horizontal reach
- Up to 227 kg (500 lbs) lift capacity

Productivity

- Industry leading working envelope
- Extension boom
- Self-levelling platform
- 1.25 m (4 ft) jib with 135° working range
- AC wiring to platform
- Hydraulic outriggers
- Automatic 10° levelling system
- Outrigger interlocks
- Mechanical parking brake
- Hydraulic surge brakes
- Auxiliary pump down
- 5.08 cm (2 in) ball coupler
- Combination hitch with coupler lever lock
- Dual jockey wheels
- 359° non-continuous turntable rotation
- Easy to access batteries
- Hour meter
- Tilt alarm / sensor
- Forklift pockets
- Illuminated outrigger indicators
- Wheel chocks
- Spare tyre
- Battery charge indicator (BCI)
- Ladder
- Certified load sensor
- Telematics-Ready Connector

Power

- 24V DC power source (four 6V 225 Ah batteries)

Platform Options

- Aluminum 0.68 x 1.12 m (26.8 x 44 in)
- 160° hydraulic platform rotation ⁽¹⁾

Power Options

- 24V DC power source
- Hybrid Honda 4.1 Kw (5.5 Hp) 45 amp charging system

Drive

- Drive option

Coupler

- 5.08 cm (2 in) ball coupler

Tyres

- 215 R14C tyres

Productivity

- Power to platform (incl. plug, socket and ground fault interrupt leakage on request)
- Track & Trace ⁽²⁾ (GPS unit providing machine location & operating information)
- Low temperature cut-out module
- Drive option with high capacity 244 Ah batteries pack
- Non-marking outrigger footpads
- Bicycle guard ⁽³⁾
- Horn
- Flashing Beacon
- Fluorescent tube caddy
- Tool tray

Power

- Hybrid Honda 4.1 Kw (5.5 Hp) 45 amp charging system option



⁽¹⁾ Factory-fit option only

⁽²⁾ Includes a first 2 years subscription

⁽³⁾ Mandatory for France, Denmark, Netherlands

United Kingdom

The Maltings, Wharf Road, Grantham NG31 6BH, T: +44 800 988 3739 (toll free), Fax +44 (0)1476 584334, Email AWP-InfoEurope@terex.com
Visit www.genielift.co.uk/locations to view our global locations list.

Worldwide Manufacturing And Distribution

Australia · Brazil · Caribbean · Central America · China · France · Germany · Italy · Japan · Korea · Mexico · Russia · Southeast Asia · Spain · Sweden · United Arab Emirates · United Kingdom · United States

Product specifications and prices are subject to change without notice or obligation. The photographs and/or drawings in this document are for illustrative purposes only. Refer to the appropriate Operator's Manual for instructions on the proper use of this equipment. Failure to follow the appropriate Operator's Manual when using our equipment or to otherwise act irresponsibly may result in serious injury or death. The only warranty applicable to our equipment is the standard written warranty applicable to the particular product and sale and we make no other warranty, express or implied. Products and services listed may be trademarks, service marks or trade names of Terex Corporation and/or their subsidiaries in the USA and many other countries. Genie is a registered trademark of Terex South Dakota, Inc. © 2018 Terex Corporation.

