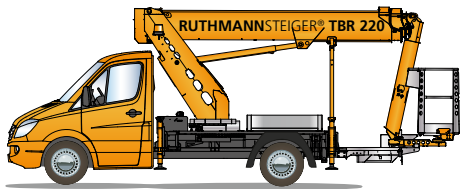


# STEIGER® TBR 220



## RUTHMANN STEIGER® TBR 220 small chassis - incredible performance

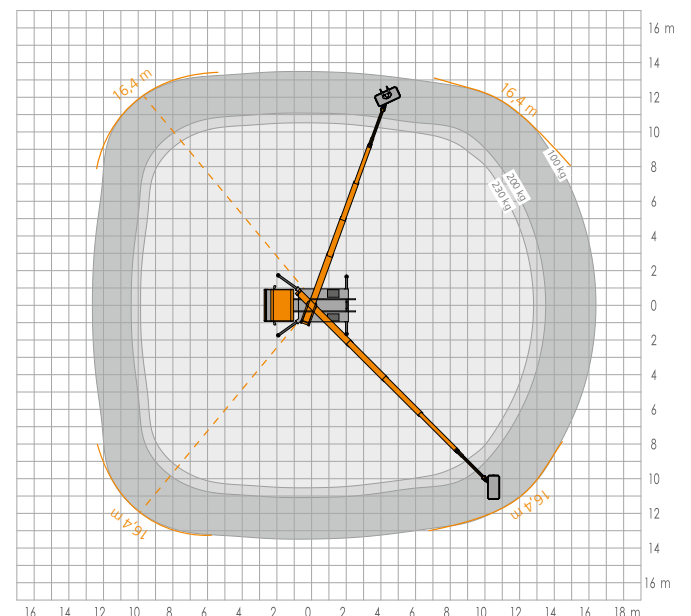
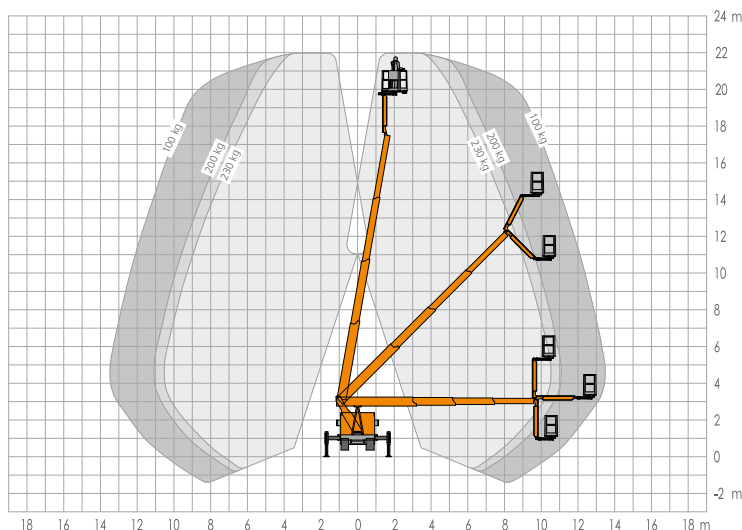


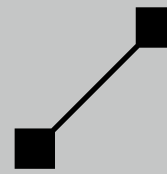
- 22,00 m working height
- 16.40 m lateral reach
- 185° jib (RÜSSEL®) swivelling range
- 230 kg work cage load capacity
- diverse base vehicles  $\geq 3.5$  t (GVW)\*
- interchangeable cage system
- total vehicle length:  $\geq 6.92$  m
- total vehicle height:  $\geq 2.99$  m
- 2 x 85° cage rotation device
- positioning at inclinations of up to 5°

To learn more visit: [www.ruthmann.de/tbr220en](http://www.ruthmann.de/tbr220en)

- EURO 6 compatible (because of lightweight design)
- telescoping boom system made of high strength, fine-grained steel with proven multi-bevelled technology
- innovative "space frame design" tower
- low height of work cage console for increased safety and efficiency when approaching objects

\* gross vehicle weight





## STEIGER® TBR 220

The new TBR 220, which has been developed specifically for the 22 m class, is based on **RUTHMANN's** time-tested telescopic boom technology also utilized in the TB, T, and **HEIGHT performance-series**. The **STEIGER® TBR 220** fulfills long-awaited customer requirements. The movable jib (**RÜSSEL®**) is 2.2 m long and has a swivelling range of up to 185°. This greatly increases agility and maneuverability when working on and behind objects.

The telescopic cylinder and power supply have been integrated internally in the innovative boom system. The TBR 220 has an incredible 16.4 m lateral reach and 22 m working height. Together with the generous 230 kg cage load capacity, this **STEIGER®** model is able to carry out daily assignments with utmost efficiency.

The boom system is made of state-of-the-art, fine-grained steel and the proven, multi-bevelled technology provides maximum stability/buckling strength. The low-lying work cage console, 2x85° cage rotation device, and new slip-resistant aluminium floor and steps, have further increased the level of safety and efficiency of this **STEIGER®** model.

The TBR 220 comes equipped with the innovative "space frame design" tower resulting in a 20% weight reduction. Innovative steel construction minimizes weight and maximizes buckling strength. Other weight reducing measures have

also been implemented. The reduced overall weight offsets the extra weight of the new EURO 6 base vehicles.

The TBR 220 also features a new, interchangeable work cage system. Operators can use the aluminium or synthetic work cage, depending on the assignment. Until now, this feature had only been available on truck-mounted aerial work platforms in the 7.49 t category. This versatile **STEIGER®** model is perfect for rental companies. They can rent the same work platform to tree cutters and to electricians, thanks to the insulated 1000V synthetic cage.

As with other **RUTHMANN** models, there is a wide range of base vehicles from which to choose from. The TBR 220 can even be mounted onto chassis with greater vehicle load capacity and 4-wheel drive systems. The short wheelbase facilitates easy handling in cramped, inner-city traffic conditions.

Other notable characteristics of the **STEIGER® TBR 220** include: horizontal/vertical support mechanism (outriggers can

be extended within the contours of the vehicle, on one side only, or fully), positioning on sloped surfaces of up to 5°, multi-motion operation (lifting, swivelling, and telescoping occurs simultaneously). Set-up time is greatly reduced and operational speed has been maximized.

Contact us by phone, fax, or email. Let us show you the amazing performance capabilities, uses, and advantages of our tried and tested **STEIGER®** models.

### Customer base:

- Municipalities
- Craftsmen
- Utility companies
- Rental companies

A  
**STEIGER®**  
for **EVERYONE!**



### RUTHMANNSTEIGER® TBR 220

	Working height	22,00 m		Total length ≥	6,92 m
	Lifting height	20,00 m		perm. siting inclination	5°
	Outreach	16,40 m		Perm. total weight ≥	3.500 kg
	Working cage size	1,40 x 0,70 m		Range of rotation	450°
	Working cage capacity	230 kg		Swivelling angle of the jib	185°
	Total height ≥	2,99 m		Driving Licence	B / 3