

# M1 230E

## VERTICAL MAST LIFT



- Industry-leading self-propelled telescopic mast lift
- Versatile, robust and simple to use
- Drives through a standard doorway
- Compact & easy to manoeuvre
- Ideal for many applications – from construction to stockpicking!

 **snorkel**  
[www.snorkellifts.com](http://www.snorkellifts.com)

# VERTICAL MAST LIFT

# M1 230E

## DIMENSIONS

|                          | M1 230E       |
|--------------------------|---------------|
| Max. working height      | 5.6m          |
| Max. platform height (A) | 3.63m         |
| Platform size            | 0.74m x 0.96m |
| Overall width (B)        | 0.76m         |
| Overall length (D)       | 1.36m         |
| Stowed height (C)        | 1.7m          |
| Ground clearance         | 76mm          |

## PERFORMANCE

|                                      |   |
|--------------------------------------|---|
| Platform capacity (SWL)              | 227kg   |
| Max. drive height                    | 3.7m  |
| Max. drive speed (stowed)            | 3.2km/h   |
| Max. drive speed (elevated)          | 0.65km/h  |
| Raise/lower time                     | 18/25 sec   |
| Gradeability                         | 25%   |
| Max. operating slope (side to side)  | 1.5°  |
| Max. operating slope (front to back) | 2°  |
| Inside turning radius                | 0.37m   |
| Outside turning radius               | 1.4m  |
| Tyres                                | 305mm. dia. solid rubber, non-marking                                 |
| Parking brake                        | 2 wheel, spring-applied, hydraulically-released with manual overdrive |
| Drive system                         | dual front hydraulic motors   |
| Controls                             | proportional  |

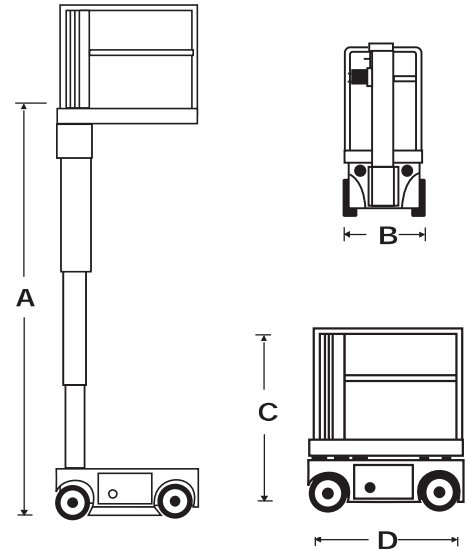
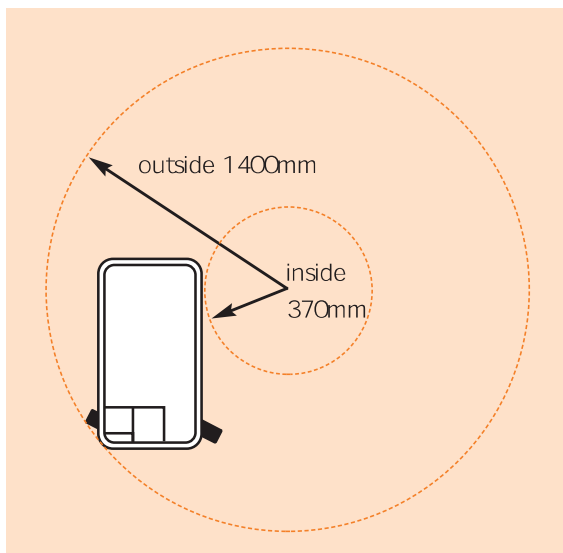
## POWER

|                 |  |
|-----------------|--|
| Power source    | 24V 4hp DC electric motor 4-220 Ah batteries |
| Battery charger | 90V - 240V - 18 amp automatic                |

## WEIGHT

|        |       |
|--------|-------|
| Weight | 780kg |
|--------|-------|

## TURNING RADIUS



## STANDARD FEATURES

- Proportional controls
- Descent and tilt alarms
- High amp hour rating gives long usage between charges
- Emergency lowering at chassis controls
- Non-marking, solid rubber tyres
- Power line to platform
- Forklift pockets
- Saloon door-style platform entry
- Horn
- Tie down points
- 2 persons + equipment capacity indoors
- 1 person + equipment capacity outdoors
- Selectable motion alarm
- CE approved

## OPTIONS

- Special paint colours
- Extension deck
- Environmental green oil

**snorkel** [www.snorkellifts.com](http://www.snorkellifts.com)

Vigo Centre, Birtley Road,  
Washington, Tyne & Wear,  
NE38 9DA, U.K.

t: +44 (0) 845 1550 057

e: [sales@snorkellifts.com](mailto:sales@snorkellifts.com)