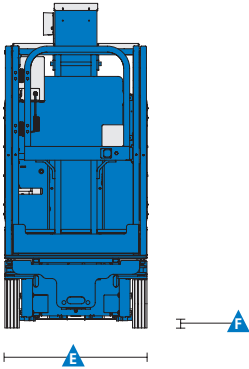
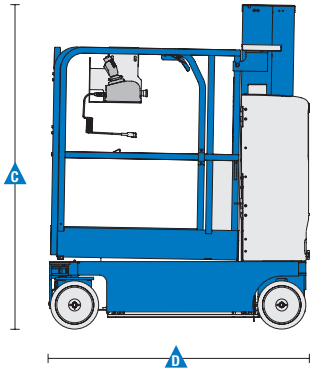
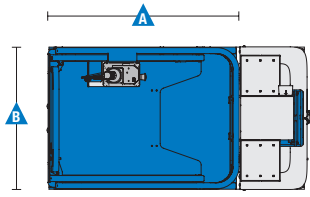


Aerial Work Platforms

Genie® Runabout™ Contractor

Specifications



Model	GRC™-12	
Measurements	Metric	US
Working height*	5.66 m	18 ft
Platform height	3.66 m	12 ft
A B Platform dimensions (length x width)		
Ext Platform dimensions - retracted	99 x 75 cm	39 x 29.5 in
Ext Platform dimensions - extended	1.4 m x 75 cm	55 x 29.5 in
C Height - stowed	1.70 m	67 in
D Length - stowed	1.37 m	4 ft 6 in
E Width	80 cm	2 ft 7.5 in
F Ground clearance - center	6 cm	2.5 in

Productivity

Max platform occupancy (indoor/outdoor) ¹	2/-	2/-
Lift capacity	227 kg	500 lbs
Drive speed - stowed	4.0 km/h	2.5 mph
Drive speed - raised	0.8 km/h	0.5 mph
Gradeability**	30%	30%
Turning radius - inside	zero	zero
Turning radius - outside	1.35 m	4 ft 5 in
Raise / lower speed	12 / 16 sec	12 / 16 sec
Controls	24V DC proportional	24V DC proportional
Tyres - solid non-marking	25 x 8 x 20 cm	10 x 3 x 8 in

Power

Power source	24V (four 6V 225 Ah batteries)	
Hydraulic system capacity	8.33 L	2.2 gal

Sound & Vibration Levels

Sound pressure level (ground workstation)	<70 dBA	<70 dBA
Sound pressure level (platform workstation)	<70 dBA	<70 dBA
Vibration	<2.5 m/s ²	<8 ft 2 in/s ²

Weight***

	948 kg	2,090 lbs
--	--------	-----------

Standards Compliance

EU Directives: 2006/42/EC - Machinery (harmonized standard EN280:2001+A2:2009); 2004/108/EC (EMC); 2006/95/EC (LVD)

¹ Indoor use only.

* The metric equivalent of working height adds 2 m to platform height. U.S. adds 6 ft to platform height.

** Gradeability applies to driving on slopes. See operator's manual for details regarding slope rating.

*** Weight will vary depending on options and/or country standards.

Features

Standard Features	Easily Configured To Meet Your Needs	Options & Accessories
-------------------	--------------------------------------	-----------------------

Measurements

GRC-12

- 5.66 m (18 ft) working height
- 3.66 m (12 ft) platform height
- Up to 227 kg (500 lbs) lift capacity

Productivity

- 2-person rated
- Smart Link™ control system (joystick, 2 lift speeds & 2 selectable proportional drive speeds, user-friendly diagnostics)
- Auxiliary platform lowering
- Low 39 cm (15.5 in) platform entry height
- Work station tray
- Steel tube-in-tube mast system
- Compact base 75 cm x 1.37 m (29.5 x 53.75 in)
- Ground clearance 6.3 cm (2.5 in) (stowed)
- Fully proportional lift and drive controls
- Battery charge indicator
- On-board diagnostic system
- AC power to platform
- Descent and tilt alarm
- Zero inside turning radius
- Dual wheel brakes
- Hydraulic brake release
- Pothole protection
- Hinged rear ABS covers for easy access to all major electrical and hydraulic components
- Tie down attachment points
- Overhead crane attachment point
- Large forklift pockets access
- Certified load sensor

Platform

- 99 cm x 75 cm (39 x 29.5 in) steel platform and extension deck with swing gate

Power

- 24V (four 6V 225 Ah batteries) with automatic 25 amp battery charger
- AGM maintenance-free batteries⁽¹⁾

Tyres

- Non-marking solid

Options & Accessories

Productivity

- Power to platform (incl. plug, socket and ground fault interrupt leakage on request)⁽¹⁾
- Biodegradable hydraulic oil⁽¹⁾
- Dual flashing beacons
- Motion alarm
- Fluorescent tube caddy
- Automotive-style horn
- Drive cutout while charging

Power

- AGM maintenance-free batteries⁽¹⁾



⁽¹⁾ Factory-fit option only

United Kingdom

The Maltings, Wharf Road, Grantham NG31 6BH, T: +44 800 988 3739 (toll free), Fax +44 (0)1476 584334, Email AWP-InfoEurope@terex.com
Visit www.genielift.co.uk/locations to view our global locations list.

Worldwide Manufacturing And Distribution

Australia · Brazil · Caribbean · Central America · China · France · Germany · Italy · Japan · Korea · Mexico · Russia · Southeast Asia · Spain · Sweden · United Arab Emirates · United Kingdom · United States

Effective Date: February, 2014. Product specifications and prices are subject to change without notice or obligation. The photographs and/or drawings in this document are for illustrative purposes only. Refer to the appropriate Operator's Manual for instructions on the proper use of this equipment. Failure to follow the appropriate Operator's Manual when using our equipment or to otherwise act irresponsibly may result in serious injury or death. The only warranty applicable to our equipment is the standard written warranty applicable to the particular product and sale and we make no other warranty, express or implied. Products and services listed may be trademarks, service marks or trade names of Terex Corporation and/or their subsidiaries in the USA and many other countries. Genie is a registered trademark of Terex South Dakota, Inc. © 2014 Terex Corporation.

